

KVM EXTENDER

Extend control up to 600 feet away from a PC or NTI KVM switch with no loss of signal

Available options:

- **Audio**
- **RS232**



XTENDEX® ST-C5KVM-600 (Remote and Local Units)

Features & Applications

The XTENDEX® KVM extender provides local and remote KVM (PS/2 keyboard, PS/2 mouse and VGA monitor) access to a PC or NTI KVM switch up to 600 feet using CAT5/5e/6 UTP cable.

- Supports two users: one local and one remote.
- Local unit provides local KVM access.
- Allows local and remote access to network servers.
- Built-in surge protection.
- Sharpest and clearest VGA quality over CAT5 of any manufacturer.
- Supports resolutions to 1920x1440.
- Available with optional stereo audio or RS232 control.
- Keep-alive keyboard/mouse emulation for flawless operation.
- Use in-house CAT5 wiring to locate a keyboard, monitor and mouse remotely.

Specifications

Local Unit

Host Connection

- Supports a PC, SUN Fire™ V20z, or NTI Switch.
- Multiplatform support: Windows 2000/XP/Vista/Server 2000/2003/2008, Linux, and FreeBSD.
- One male 15-pin HD/ two male 6-pin miniDIN connectors for PC or NTI KVM switch.
- Optional RS232 support – female 9-pin D connector.
- Optional stereo audio support – 3.5mm stereo plug.

Local Access

- Crisp and clear 1920x1440 video resolution.
- One female 15-pin HD connector.
- Two female 6-pin miniDIN connectors.
- Supports PS/2 mice including the IBM ScrollPoint mouse.
- NTI recommends using identical keyboards and mice at local and remote units.
- Optional RS232 support – male 9-pin D connector.
- Optional stereo audio support – 3.5mm stereo jack.

Remote Unit

- Supports resolutions up to 1920x1440; refer to the resolution chart on page 2 for resolutions at different lengths.
- One female 15-pin HD connector.
- Two female 6-pin miniDIN connectors.
- Supports PS/2 mice including the IBM ScrollPoint mouse.
- NTI recommends using identical keyboards and mice at local and remote units.
- Optional 3.5mm stereo audio connection.
- Optional male 9-pin D connector for RS232.

Video Quality Adjustment

- Automatically adjusts the video quality to compensate for varying lengths of CAT5 cable.

Dimensions

- WxDxH(in): 3.5x3.1x1.2

Power

- Local and remote unit: 110 or 220 VAC at 50 or 60 Hz via AC adapter.
- Power Consumption: 10W (each – local and remote unit).

Regulatory Approvals

- CE, FCC, RoHS

Warranty

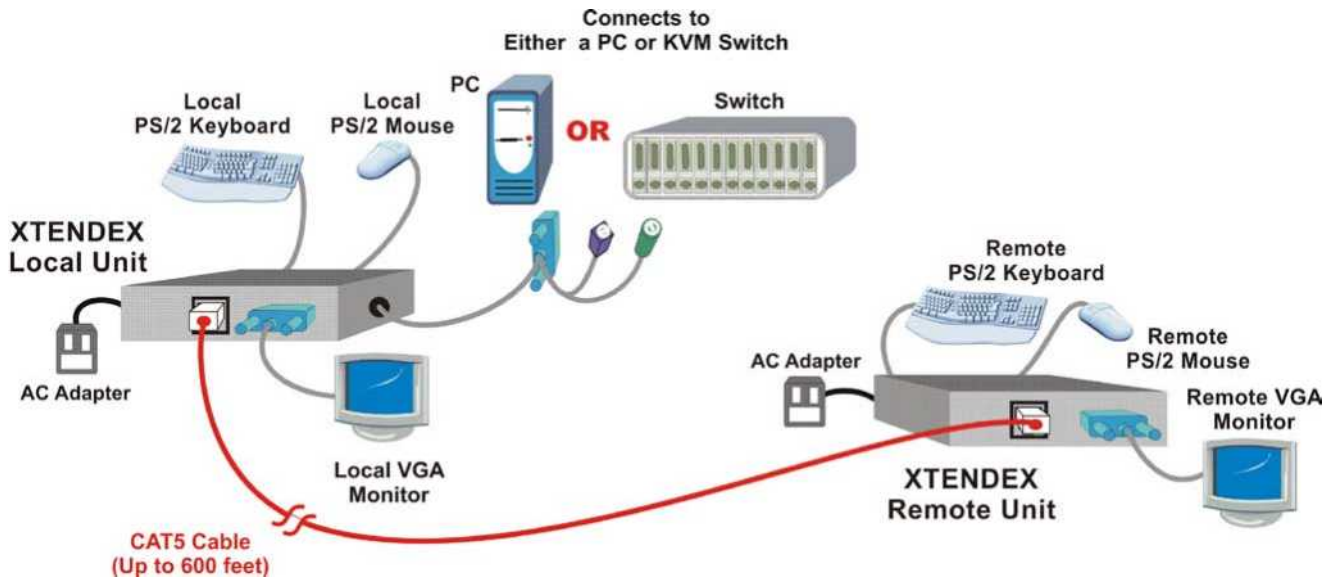
- Two years.



KVM EXTENDER

Extend control up to 600 feet away from a PC or NTI KVM switch with no loss of signal

Configuration and Cable Illustration



Options

- Choose between stereo audio or RS232.

Stereo Audio

- Stereo audio can be heard both locally and remotely.
- Frequency response: 20 Hz to 20 kHz, +/- 1 dB.
- Signal-to-Noise Ratio (SNR): 76 dBA.
- Total Harmonic Distortion and Noise (THD+N): 0.017%.
- Stereo crosstalk: -70 dB.
- Input impedance: 10k Ohms.
- Maximum I/O levels: 3.1Vp-p (line level).
- Requires powered speakers.
- CD quality audio output.

RS232

- Supports TXD, RXD, DTR, DSR, CTS and RTS.
- Baud rate up to 56000.
- Support for a touch screen monitor.

Cables

- Use CAT5, CAT5e or CAT6 UTP straight through cable for TIA/EIA-568B wiring terminated with standard RJ45 connectors.
- Cables not included.



Warning!

- These units are not designed to be connected to an ethernet card, ethernet router, hub, switch or any other ethernet RJ45 connector of an ethernet device. Damage to devices connected to the ethernet may result.

KVM Extender Models

Supported Features	NTI Part #
KVM	ST-C5KVM-600
KVM + audio	ST-C5KVMA-600
KVM + RS232	ST-C5KVMRS-600

Distances and Resolutions for CAT5/Cat5e and CAT6 Cables

Cable	Distance (feet)	Maximum Resolution
CAT5/CAT5e (UTP)	600	1024x768 at 60Hz
CAT5/CAT5e (UTP)	400	1280x1024 at 60Hz
CAT5/CAT5e (UTP)	300	1600x1200 at 60Hz
CAT5/CAT5e (UTP)	100	1920x1440 at 60Hz
CAT5/5e (STP), CAT6 (UTP)	300	1024x768 at 60Hz
CAT5/5e (STP), CAT6 (UTP)	200	1280x1024 at 60Hz
CAT5/5e (STP), CAT6 (UTP)	100	1920x1440 at 60Hz



330.562.1999
Worldwide fax



sales@ntigo.com



www.networktechinc.com

© 1997, 2008 NTI
All rights reserved